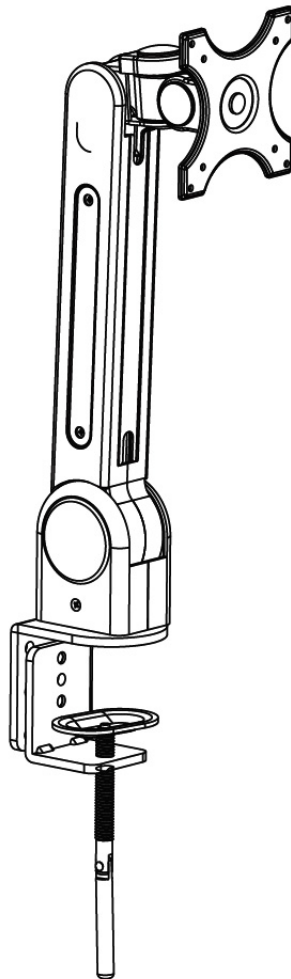


Full Motion Spring Monitor Desk Mount 13" to 27"

Installation Guide



Unpacking

- Carefully remove the contents and lay out on cardboard or other protective surface
- Check package contents against the parts list to ensure that all components were received undamaged. Do not use damaged or defective parts
- Carefully read all instructions before attempting installation

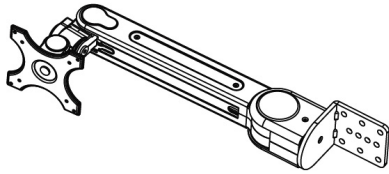
Safety Information

- Use proper safety equipment during installation
- If you don't understand the installation instructions, please consult an installation specialist
- This mount contains small parts which can act as a choking hazard if swallowed
- Do not use this product for any purpose or in any configuration not explicitly specified in these instructions

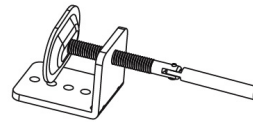
Tools Required

- Phillips screwdriver

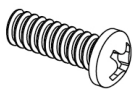
Parts List



a - (1x) Monitor Arm



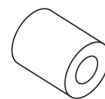
b - (1x) C-Clamp



c - (4x) M4x12 Bolt



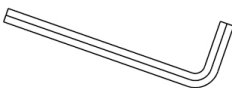
d - (4x) M4x30 Bolt



e - (4x) M4 Spacer



f - (2x) M8x12 Bolt



g - (1x) Allen Key



h - (1x) Wrench

Installation

CAUTION: This monitor desk mount must be securely attached to the horizontal desktop. If the mount is not properly installed it may fall, resulting in possible injury and/or damage.

Step1: C-Clamp Installation

1. Position the Monitor Arm (a) onto the desktop. Figure 1.
2. Install the C-Clamp (b) to the monitor arm according to the thickness of the desktop. The thickness can be changed in 2 positions. Connect it using 2 M8x12 Bolts (f), tighten using the provided Allen Key (g). Figure 1.
3. Tighten the C-Clamp to the desktop by turning the **C-Clamp Bolt** counter clockwise. Figure 1.

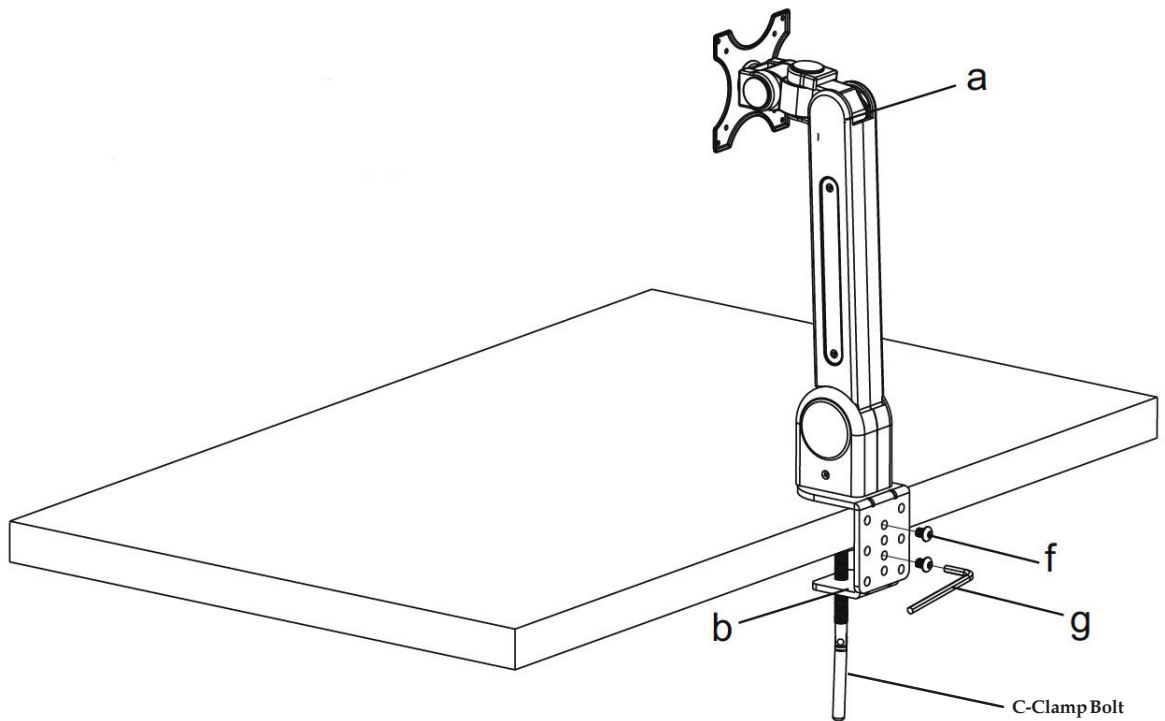


Figure 1

Step 2: Mount the Monitor to the Vesa Plate

2A) For flat back monitors insert 4 M4x12 Bolts (c) and tighten. See Figure 2.

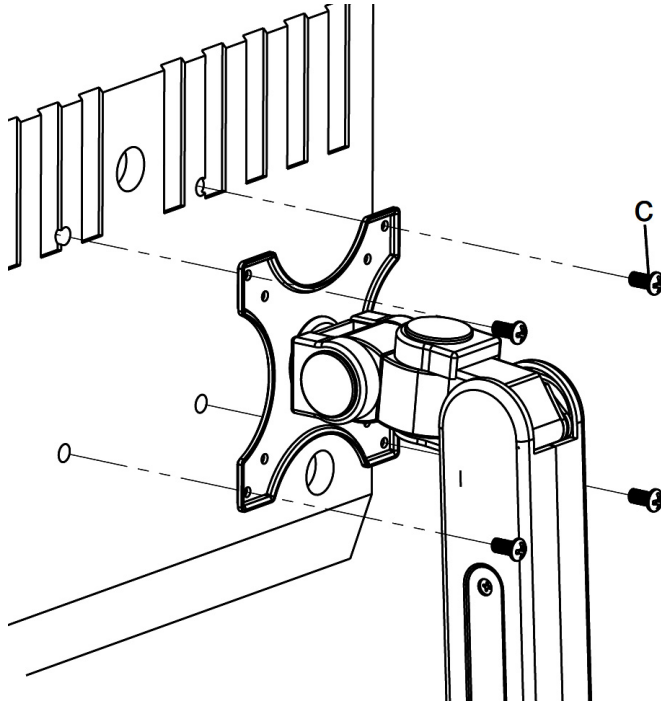


Figure 2: Flat Back Monitor

2B) For curved back monitors, place M4 Spacer (e) between the monitor and Vesa plate, then insert M4x30 Bolt (d) and tighten. See Figure 3

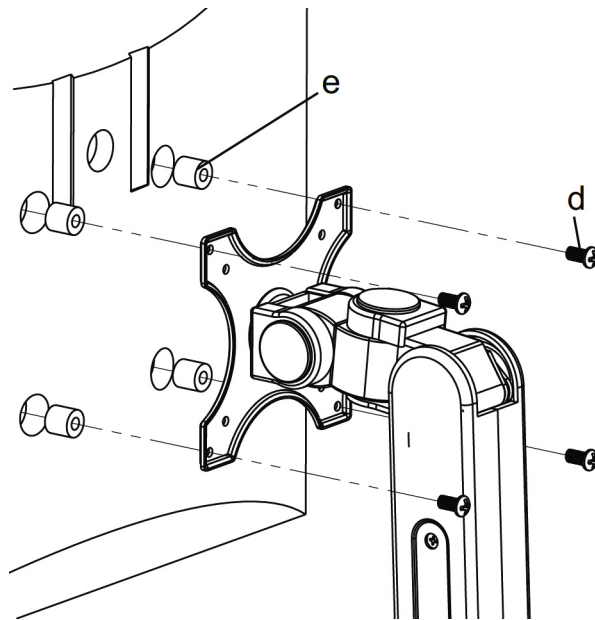


Figure 3: Curved Back Monitor

Step 3: Cable Management

Remove the wire cover, arrange the monitor wires inside the slot, then re-install the cover. Figure 4.

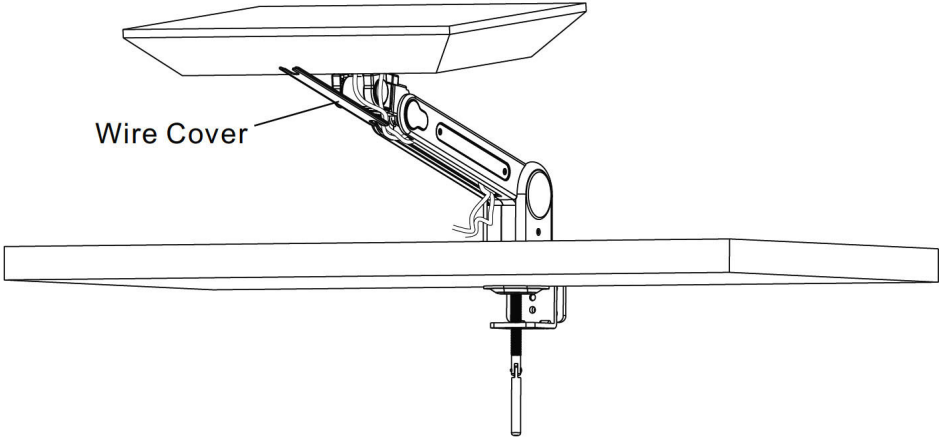


Figure 4: Cable Management

Step 4: Final Installation and Adjustment

Monitor Tilt Angle

If the monitor does not stay in place or is hard to tilt, remove the Vesa Plate's plastic caps to access the tightening nut, then use the provided Wrench (h) to adjust the tightness. Figure 5.

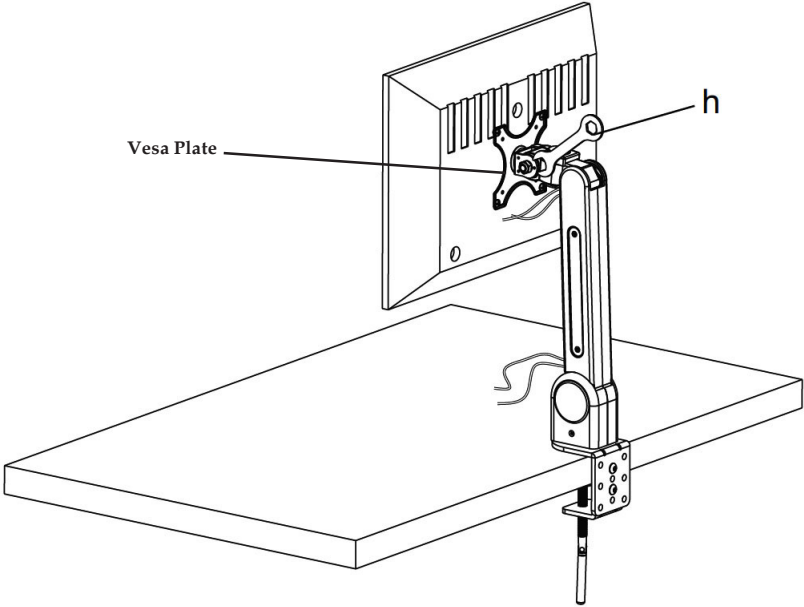


Figure 5: Tilt Adjustment

Monitor Arm Adjustment (extend, retract, 360° swivel)

Extending the Monitor Arm

To extend the monitor arm, hold the monitor and lift it slightly, then pull it forward to the desired position. Figure 6.

Retracting the Monitor Arm

To retract the monitor arm, simply hold the monitor and push it back to the desired position. Figure 6.

Swiveling the Monitor Arm

The monitor arm can be swiveled 360 degrees in either direction to the desired position. Figure 6.



Figure 6: Monitor Arm Adjustments

Maintenance

Check the mounting screws every two months for tightness.

IMPORTANT: If you don't understand these installation instructions, please consult an installation specialist.

Blank Page

Technical Support and Warranty

QUESTIONS? SIIG's **Online Support** has answers! Simply visit our web site at www.siig.com and click **Support**. Our online support database is updated daily with new drivers and solutions. Answers to your questions could be just a few clicks away. You can also submit questions online and a technical support analyst will promptly respond.

SIIG offers a 5-year manufacturer warranty with this product. This warranty covers the original purchaser and guarantees the product to be free of any defects in materials or workmanship for five (5) years from the date of purchase of the product.

SIIG will, at our discretion, repair or replace (with an identical product or product having similar features and functionality) the product if defective in materials or workmanship. This warranty gives you specific legal rights, and you may also have other rights which vary from state to state. Please see our web site for more warranty details.

If you encounter any problems with this product, please follow the procedures below.

A) If it is within the store's return policy period, please return the product to the store where you purchased from.

B) If your purchase has passed the store's return policy period, please follow the steps below to have the product repaired or replaced.

Step 1: Submit your RMA request.

Go to www.siig.com, click **Support**, then **Request A Product Replacement** to submit a request to [SIIG RMA](#) or fax a request to 510-657-5962. Your RMA request will be processed, if the product is determined to be defective, an RMA number will be issued.

Step 2: After obtaining an RMA number, ship the product.

- Properly pack the product for shipping. All accessories that came with the original package must be included.
- Clearly write your RMA number on the top of the returned package. SIIG will refuse to accept any shipping package, and will not be responsible for a product returned without an RMA number posted on the outside of the shipping carton.
- You are responsible for the cost of shipping to SIIG. Ship the product to the following address:
SIIG, Inc.
6078 Stewart Avenue
Fremont, CA 94538-3152, USA
RMA #: _____
- SIIG will ship the repaired or replaced product via Ground in the U.S. and International Economy outside of the U.S. at no cost to the customer.

About SIIG, Inc.

Founded in 1985, SIIG, Inc. is a leading manufacturer of IT connectivity solutions (including Serial ATA and Ultra ATA Controllers, FireWire, USB, and legacy I/O adapters) that bridge the connection between Desktop/Notebook systems and external peripherals. SIIG continues to grow by adding A/V and Digital Signage connectivity solutions to our extensive portfolio. All centered around the distribution and switching of A/V signals over CAT5/6, these products include matrix switches, distribution amplifiers, extenders, converters, splitters, cabling, and more.

SIIG is the premier one-stop source of upgrades and is committed to providing high quality products while keeping economical and competitive prices. High-quality control standards are evident by one of the lowest defective return rates in the industry. Our products offer comprehensive user manuals, user-friendly features, and most products are backed by a lifetime warranty.

SIIG products can be found in many computer retail stores, mail order catalogs, and e-commerce sites in the Americas, as well as through major distributors, system integrators, and VARs.

<p>PRODUCT NAME</p>

<p>Full Motion Spring Monitor Desk Mount - 13" to 27"</p>

Full Motion Spring Monitor Desk Mount - 13" to 27" is a trademark of SIIG, Inc. SIIG and the SIIG logo are registered trademarks of SIIG, Inc. All other names used in this publication are for identification only and may be trademarks of their respective owners.