

Illumina 4 - 4 LED Bicycle Headlight

Instruction Manual

Install Batteries:

1. Push down gently on the top cover directly behind power button and slide the top cover backwards (away from LEDs) - **See Figure 1**

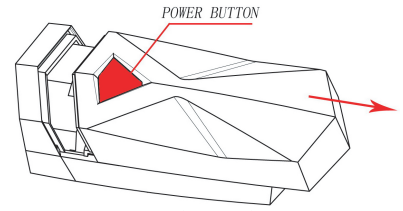


Figure 1

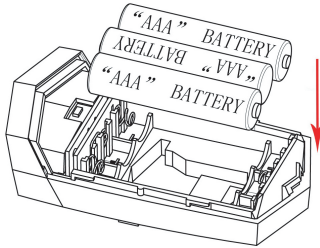


Figure 2

2. Insert 3 AAA batteries (included) - **See Figure 2**
3. Replace top cover & secure in place

Install Handlebar Mount:

1. Select a location to mount the Illumina 4 on the handlebar that does not interfere with the safe operation of the bicycle
2. Place the mount on the handlebars with the release tab facing the rear of the bicycle - **See Figure 3**

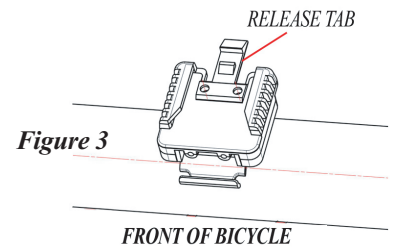


Figure 3

3. Secure the mount with one of the included "O-ring" straps - **See Figure 4**

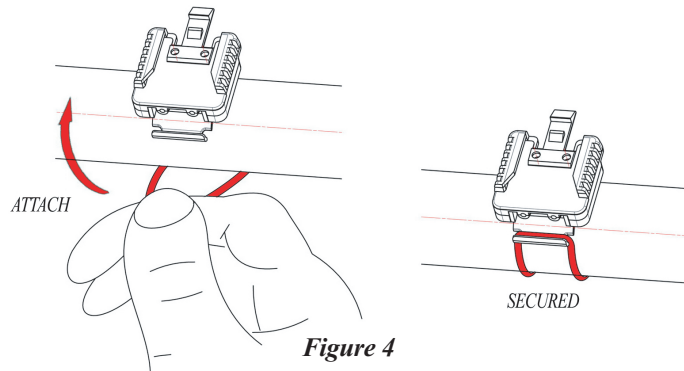


Figure 4

Installation & Removal of Light:

1. Slide the Illumina 4 onto the mount from the front until it clicks & is locked in place - **See Figure 5**
2. Adjust the beam to the proper angle
3. To remove the light, slide it forward while pressing the release tab

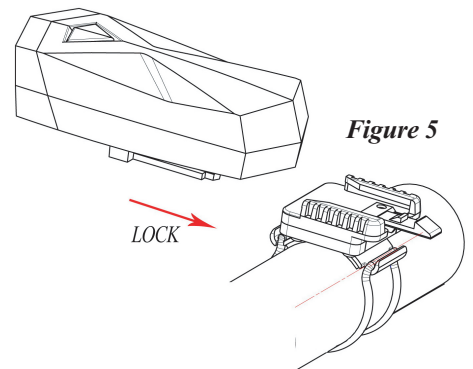


Figure 5

Operation:

1. Press the power button one time for steady mode
2. Press the power button two times for flash mode
3. Press the power button three times for strobe mode
4. Press the power button four times to turn off

Limited One Year Warranty

This warranty covers the original purchaser & guarantees the product to be free of any defects in materials or workmanship for one (1) year from the date of purchase of the product. SIIG will repair or replace (with an identical product or product having similar features & functionality) the product if defective in materials or workmanship.

Please go to the Support section at www.sig.com & select the "Request RMA" link to submit an RMA request or fax a request to 510 657-5962. SIIG, Inc. is located at 6078 Stewart Ave., Fremont, CA 94538-3152 USA. You do not have to complete any registration with SIIG to obtain warranty service. The customer is responsible for shipping costs to SIIG Inc., but SIIG Inc will pay the return postage.

This warranty gives you specific legal rights, and you may also have other rights which vary from state to state.

Serial Number