



A/V PowerSaver 8

Quick Installation Guide

Introducing the *A/V PowerSaver 8*

The *A/V PowerSaver 8* surge protector provides a great energy conservation solution that utilizes the Master-Power-Save control concept.

Features and Benefits

- 8 protected outlets (1 master, 5 “Power Save”, 2 always-on)
- “Green” energy-saving features
- Protection up to 2160 joules
- Includes coaxial and combo RJ11 phone & RJ45 network portection
- EMI/RFI noisefilter up to 58dB
- Connected equipment coverage up to \$150,000
- X3MOV (Metal Oxide Varistor) Technology - Newly designed with improved materials for improved surge protection. Diverts power surges/spikes through the ground line.
- Safety Shutdown Technology - Thermal fuses shut power off to the system, protecting against fire and other damage.

Package Contents

- *A/V PowerSaver 8*
- Quick Installation Guide

Layout

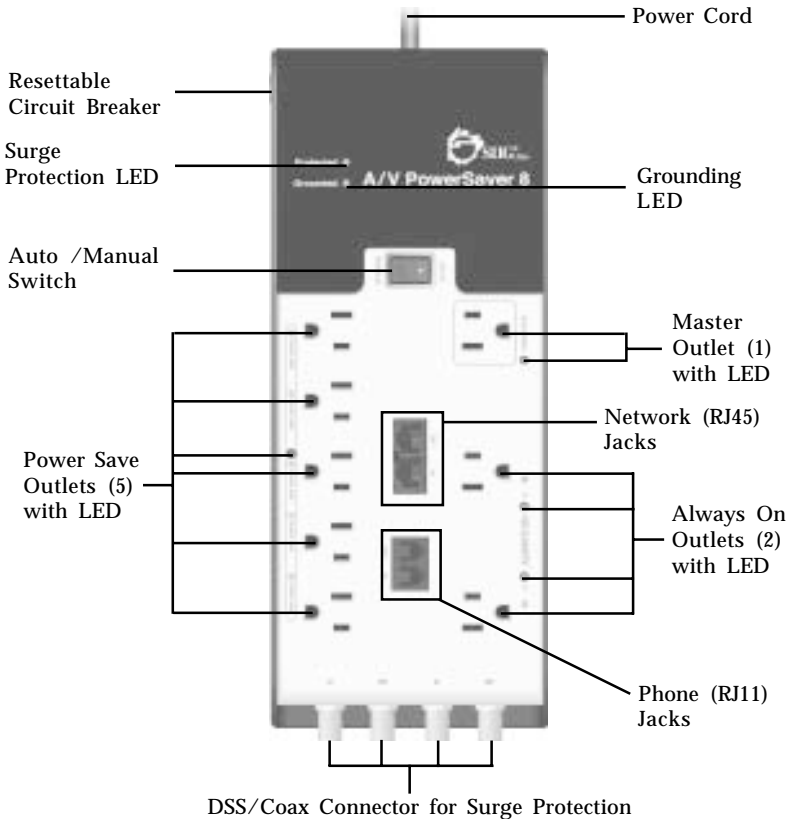


Figure 1: Layout

- **Power Cord:** Long 6 foot heavy-duty power cord with low-profile plug (does not block furniture from sitting close to the wall)
- **Resettable Circuit Breaker (15A):** Protects against current overload
- **Surge Protection LED:** Indicator light shows the surge protector is working properly
- **Grounding LED:** Indicator light shows the building wiring is properly grounded

- **Master Outlet (1) with LED:** Main outlet – controls the “ON/OFF” status of the “POWER SAVER” outlets
- **Power Save Outlets (5) with LED:** Power saving outlets- power automatically turns ON/OFF according to Master Outlet’s device status.
- **Always On Outlets (2) with LED:** Continuously powered for devices needing constant power
- **NETWORK (RJ45) Jacks:** Provides protection against surges on computer network lines
- **DSS/Coax Connector for Surge Protection:** It provides protection from surges on cable, DSS, and cable modem installations
- **Phone (RJ11) Jacks:** Provides protection against surges on telephone lines
- **Auto/Manual Switch:** Auto mode enables the PowerSave feature. Manual mode converts all outlets to constant (Always-On) power

Using Power Save Feature

To enable the Power Save feature, select the AUTO setting on the AUTO/Manual switch.

Note: The MANUAL setting will convert all outlets to “Always On” functionality.

Plug your TV, computer, or other “MASTER” device into the “MASTER” outlet and plug peripherals (DVD player, A/V receiver, CD player, printer, etc.) into the “POWER SAVE” outlets. When the A/V PowerSaver 8 senses the “MASTER” device is turned off, power to the “POWER SAVE” devices is automatically shut off, saving electricity & energy costs!

When the A/V PowerSaver 8 senses the “MASTER” device is turned off, power to the “POWER SAVE” devices is automatically shut off, saving electricity & energy costs!

Note: Connect devices such as VCR, cable box, satellite receiver (or other devices that need constant power to retain memory) to the “ALWAYS ON” outlets.

Wall mounting (Optional)

To mount your A/V PowerSaver 8 on a wall or other sturdy, vertical surface, place a sheet of paper over the surge protector’s mounting holes and mark their centers with a push pin. Next, place this template over the desired area and mark with the push pins. Install screws (user supplied) into the marks until $\frac{1}{4}$ in. (0.5cm.) of the screw heads are exposed. Mount the surge protector over the screw heads and slide into place.

5-year Limited Warranty and Connected Equipment Guarantee

In purchasing a SIIG A/V PowerSaver8 surge protector in the United States or Canada, the original end user receives a Limited Warranty and Connected Equipment Guarantee from SIIG, Inc. (for ease of reading, referred to as “SIIG”). The Limited Warranty and the Connected Equipment Guarantee are intended to be the original end-user’s exclusive rights and remedies. The Limited Warranty and the Connected Equipment are separate, all though they are related.

Limited Warranty. The original end user (referred to as the “Initial Customer”) receives an express limited warranty (referred to as the “Limited Warranty”) for the A/V PowerSaver 8 purchased from SIIG (referred to as the “Product”). The Limited Warranty is for the Product itself. The terms of the Limited Warranty are explained below.

Connected Equipment Guarantee. SIIG also provides the Initial Customer with protection in the event that the Product is not free from defects in materials and workmanship, and certain hardware equipment connected to the Product is damaged (the “Connected Equipment Guarantee”). The Connected Equipment Guarantee protects the Initial Customer for damage to equipment plugged into the Product. The terms of the Connected Equipment Guarantee are explained below.

The Limited Warranty and the Connected Equipment Guarantee are subject to the terms set forth below. Additionally, State or Provincial law may adjust the terms of the Limited Warranty or the Connected

Equipment Guarantee or the State or Province may impose additional obligations, or additional “implied warranties.”

To the extent necessary to comply with those laws, the terms of the Limited Warranty and the Connected Equipment Guarantee should be read to adjust to those requirements only to the extent necessary to comply with such local law.

If you are an Initial Customer, you are asked to read the following terms and conditions carefully before using the Product. By using the Product you consent to be bound by and become a party to the Limited Warranty and Connected Equipment Guarantee. If you do not agree to the terms and conditions of the Limited Warranty and Connected Equipment Guarantee, you should return the Product for a full refund prior to using it.

REGISTRATION

SIIG requests that you complete and return the Warranty Registration Card enclosed with the Product or register the Product at its website (www.siiig.com) to establish that you are the Initial Customer of the Product, and therefore entitled coverage under the Limited Warranty and the Connected Equipment Guarantee. (Registration is not required for Limited Warranty coverage, but note if you do not complete a registration card you will be required to provide proof of purchase, as described below, to have the benefits of this Limited Warranty.)

LIMITED WARRANTY

SIIG WARRANTS TO YOU, THE INITIAL PURCHASER, THAT THE PRODUCT WILL BE FREE FROM DEFECTS IN MATERIAL AND WORKMANSHIP FOR 5-YEARS SUBJECT TO THE TERMS OF THIS LIMITED WARRANTY. ANY

IMPLIED WARRANTY OF MERCHANTABILITY OR FOR FITNESS FOR A PARTICULAR PURPOSE, IF APPLICABLE TO THE PRODUCT, IS LIMITED IN DURATION TO THE PERIOD OF OWNERSHIP BY THE INITIAL CUSTOMER. THIS PROVISION SHALL NOT CREATE ANY IMPLIED WARRANTY OR MERCHANTABILITY OR OF FITNESS FOR A PARTICULAR PURPOSE THAT WOULD NOT OTHERWISE APPLY TO THE PRODUCT. NOTE: SOME STATES DO NOT ALLOW LIMITATIONS ON HOW LONG AN IMPLIED WARRANTY LASTS, SO THE ABOVE LIMITATION MAY NOT APPLY TO YOU. TO BE COVERED YOU MUST STILL BE THE OWNER OF THE PRODUCT AT THE TIME OF THE FAILURE THAT RESULTS IN THE CLAIM MADE UNDER THIS LIMITED WARRANTY.

Exclusive Remedies Under Limited Warranty.

Your exclusive remedy and SIIG's' sole obligations are as follows for the Product:

If (a) the SIIG Product you purchased and still own is defective in material or workmanship under this Limited Warranty or any applicable warranty imposed by law, and

(b) all Limited Warranty requirements have been met, SIIG will repair or replace the Product with an equivalent to new Product if it proves to be defective in material or workmanship.

Making a Limited Warranty Claim.

To make a Limited Warranty claim on a Product, you must do the following:

1. Complete and return the SIIG Warranty Registration Card, or provide reasonable proof of purchase (for example, a sales receipt) that establishes you as the

Initial Customer (the original end-user consumer purchaser) of the Product.

2. A) If it is within the store's return policy period, please return the product to the store where you purchased from.

B) If your purchase has passed the store's return policy period, please follow these steps to have the product repaired or replaced.

Step 1: Submit your RMA request.

Go to www.siig.com, click **Support**, then **RMA** to submit a request to [SIIG RMA](#). If the product is determined to be defective, an RMA number will be issued.

Step 2: After obtaining an RMA number, ship the product.

- Properly pack the product for shipping. All software, cable(s) and any other accessories that came with the original package must be included.
- Clearly write your RMA number on the top of the returned package. SIIG will refuse to accept any shipping package, and will not be responsible for a product returned without an RMA number posted on the outside of the shipping carton.
- You are responsible for the cost of shipping. Ship the product to the following address:

SIIG, Inc.

6078 Stewart Avenue

Fremont, CA 94538-3152, USA

RMA #: _____

- SIIG will ship the repaired or replaced product via Ground in the U.S. and International Economy outside of the U.S. at no cost to the customer.

SIIG will inspect and examine the Product within ten (10) days of receipt. If the Product is not as warranted, SIIG will repair or replace the Product and return it to you at SIIG's expense, or, if SIIG is unable to or decides not to repair or replace the Product (if defective) within a reasonable time, SIIG will refund to you the full purchase price you paid for the Product (purchase receipt showing price paid is required). In the event there is no warranty claim, SIIG will advise you of options for repair or replacement charges. In the event you do not respond with an election and appropriate payment within 20 days, the Product will be disposed at no further liability to SIIG.

CONNECTED EQUIPMENT GUARANTEE

If you are the Initial Purchaser and the Product is still covered by the Limited Warranty, the Connected Equipment Guarantee provides protection for damage to certain hardware equipment connected to the Product ("Connected Equipment"), subject to certain terms and limitations.

The Connected Equipment Guarantee is not "first dollar" coverage. It is secondary. If you have any other source of payment for your loss, such as insurance, another warranty, or an extended warranty or purchase protection plan ("Primary Coverage"), SIIG' will pay only to the extent that that the Primary Coverage does not cover the loss. SIIG's obligation is reduced by any amounts that you are entitled to recover from the Primary Coverage, whether or not you make a claim for recovery under any applicable Primary Coverage. SIIG has no obligation to contribute to primary coverage and this warranty is not assignable for any purpose.

The Limited Warranty does not cover Connected Equipment, but as is explained below, to be covered under the Connected Equipment Guarantee, the Connected Equipment must have been damaged due only to a direct failure of the Product. The Connected Equipment must have been damaged due to only a defect in materials or workmanship of the Product.

In the event of damage to the Connected Equipment, your exclusive remedies, and SIIG's sole obligations, are as follows for Connected Equipment. If (a) the Product purchased and owned by you is defective in material or workmanship; (b) the Limited Warranty requirements have been met, and; (c) none of the limitations or exclusions on warranty coverage apply, SIIG will (as SIIG elects, as permitted by law), repair, replace, or pay the Agreed Damage Amount (defined below) for, the item(s) of your electronic equipment directly and properly connected to the product (the "Connected Equipment") if that Connected Equipment is (x) damaged by AC power line transients, spikes, or surges on properly installed, grounded, and code-compliant 120 volt power lines in the United States and Canada, or by transients, surges or spikes on standard telephone equipment lines, or Base 10/100T Ethernet lines that are properly installed and connected (a "Power Disturbance") and (y) is directly plugged into and properly connected to a SIIG product in its original condition which is properly operated when a Power Disturbance passes through the SIIG Product and (z.1) exhausts the protection capacity of the SIIG Product or (z.2) damages the SIIG Product. This provision sets out the only liability of any character of SIIG for direct, indirect, special, consequential, and/or incidental damages only to Connected Equipment, and all such Liability is limited to the Agreed Damage Amount.

Making a Connected Equipment Guarantee Claim.

To make a Warranty claim for damage to Connected Equipment under the Connected Equipment Guarantee, you must do the following:

1. Complete and return the SIIG Warranty card or provide reasonable proof of purchase, for example, a sales receipt that establishes you as the original end-user consumer purchaser of the Product.
2. Go to www.siig.com, click Support, then RMA to submit a request to SIIG RMA within ten (10) days of the event for which you want to make a claim.
3. When you contact SIIG, identify the Product, the Purchase Date, and the item(s) of Connected Equipment.

Have information on all applicable insurance or other resources of recovery/payment that are available to the Initial Customer and the name of the power utility supplier for the location of the Connected Equipment and Request a Claim Number.

4. Pack and ship the Product to SIIG and, if requested, the item(s) of Connected Equipment, a repair cost estimate for the damage to the Connected Equipment, and all claim forms that SIIG provides to you. Show the Claim Number on the shipping label or include it with the product. **Initial Customer shall prepay all shipping costs, must pay the cost of the repair estimate, and is responsible for packaging and shipment.**
5. Permit SIIG or its agents to make an onsite inspection of the Product, Connected Equipment, and electrical system at your location.

SIIG's Duties.

SIIG will inspect and examine the Product and the item(s) of Connected Equipment (or at SIIG's election, your written statement and repair cost estimate for those item(s)). You must return the product for inspection.

If the damage to Connected Equipment is covered by the Connected Equipment Guarantee, SIIG will (in addition to Limited Warranty remedies for the SIIG Product itself) repair (or pay the costs of repair) or replace the Connected Equipment or, at the option of SIIG, as permitted by law, pay to the Initial Customer the "Agreed Damage Amount" (up to the aggregate limits stated below) for all item(s) of Initial Customer's Connected Equipment. The "Agreed Damage Amount" for all items of Initial Customer's Connected Equipment shall be the lesser of the amount determined under Clause (1) or (2) below, reduced by any amounts described in Clause (3) below:

1. The fair market value of the Connected Equipment as established by the lower of (a) the price list of Orion Blue Book on the date of occurrence if such price list is no longer published, a published or announced price list reasonably selected by SIIG), or (b) the average price the same or similar items are being sold for on E-bay, or (c) the lowest price the same or similar items can be purchased for in the United States; or
2. The aggregate ceiling amount for all claims by an Initial Customer for Connected Equipment: SIIG A/V PowerSaver 8 - \$150,000.00.
3. The amount(s) of all payment you have or are entitled to receive from insurance, other warranties, extended warranties, or from other sources or persons for the Connected Equipment or damage to

such equipment so that SIIG's maximum liability shall be reduced to reflect all such other payments or sources of recovery.

If SIIG replaces the connected equipment or pays to the Initial Customer the Agreed Damage Amount, the Initial Customer shall transfer ownership of all item(s) to SIIG without warranty by the Initial Customer, but free of lien or other interest.

CONDITIONS COMMON TO THE LIMITED WARRANTY AND THE CONECTED EQUIPMENT GUARANTEE

The Limited Warranty and the Connected Equipment Guarantee are the only and the exclusive express warranty of SIIG with respect to the Product. This exclusion of other express warranties applies to written and oral express warranties.

LIMITATION: THE LIMITED WARRANTY AND THE CONECTED EQUIPMENT GUARANTEE DO NOT COVER

The Limited Warranty and the Connected Equipment Guarantee are intended to exclusive rights and remedies and replace any other rights, to the extent allowed by law.

1. As to the SIIG Product, the limited warranty **does not** cover or apply to: misuse, modification, operation or storage outside environmental limits for the Product, in transit, in shipment, or in storage, damage or deterioration, improper operation or maintenance, or use with items or equipment not designed or intended for use with the product.
2. As to Connected Equipment, the Connected Equipment Guarantee covers only damage within the specific terms of the Connected Equipment

Guarantee to Connected Equipment (and only up to the applicable aggregate ceiling amount).

3. The Connected Equipment Guarantee does not cover damage to Connected Equipment or apply if the Product has been operated in a failure mode or not in compliance with SIIG operating instructions and manuals, or if the Connected Equipment has been operated in a failure mode or not in compliance with the instructions and manuals of its manufacturer/vendor.

The Limited Warranty and the Connected Equipment Guarantee Do Not Apply Unless The Initial Customer:

1. Has properly connected the Product and the Connected Equipment to properly wired and grounded outlets (including compliance with electrical and safety codes of the most current electrical code (ANS/NFPA 70), without the use of any adapters, extension cords or other connectors.
2. Has provided a suitable and proper environment for use and installation of the Product and Connected Equipment.
3. Has properly installed and operated the SIIG Product and Connected equipment.
4. Has operated the Product at all times within the limitations on the Product's VA capacity as stated in this User Manual.
5. Has backed up all software on Connected Equipment on a consistent basis.
6. Has not use the Product with more than one computer, one printer, and one monitor/screen at the same time.

SIIG Does Not Cover or Undertake Any Liability in Any Event for Any of the Following:

1. Loss of or damage to all electronic data, records, software applications or software programs or the restoration of electronic data, records, or the reinstallation of any software.
2. Damage from causes other than AC Power Line Transients, spikes, or surges on properly installed, grounded and code-compliant 120 volt power lines in the United States and Canada; transients, surges or spikes on standard telephone land lines, PBX telephone equipment lines or Base 10T Ethernet lines, when properly installed and connected. This exclusion applies, for example, to fluctuations in data transmission or reception, by CATV or RF transmission or fluctuations, or by transients in such transmission.
3. Damage from any circumstance described as excluded above with respect to the Product.
4. Damages from fire, flood, wind, acts of violence rain, rising water, leakage or breakage of plumbing, or abuse, misuse, or alteration of either the Product or the Connected Equipment.

Exclusion of Consequential and Other Damages.

THE SOLE AND EXCLUSIVE REMEDIES OF THE INITIAL CUSTOMER ARE THOSE PROVIDED BY THE LIMITED WARRANTY AND CONNECTED EQUIPMENT GUARANTEE. SIIG EXCLUDES ANY LIABILITY FOR PERSONAL INJURY AND PROPERTY DAMAGE UNDER THE LIMITED WARRANTY AND CONNECTED EQUIPMENT GUARANTEE. SIIG EXCLUDES ANY LIABILITY FOR DIRECT, INDIRECT, SPECIAL, INCIDENTAL OR CONSEQUENTIAL DAMAGES

WHETHER FOR DAMAGE TO OR LOSS OF PROPERTY [EXCEPT FOR (AND ONLY FOR) THE SPECIFIC LIMITED AGREEMENT OF SIIG TO PROVIDE CERTAIN WARRANTY BENEFITS REGARDING “CONNECTED EQUIPMENT” UNDER THE “SIIG CONNECTED EQUIPMENT GUARANTEE”], LOSS OF PROFITS, BUSINESS INTERRUPTION, OR LOSS OF INFORMATION OR DATA. NOTE: SOME STATES OR PROVINCES DO NOT ALLOW THE EXCLUSION OR LIMITATION OF INCIDENTAL OR CONSEQUENTIAL DAMAGES, SO THE ABOVE LIMITATION MAY NOT APPLY TO YOU.

DO NOT USE FOR MEDICAL OR LIFE SUPPORT EQUIPMENT OR OTHER HIGH RISK ACTIVITIES.

SIIG does not sell the Product for use in high-risk activities. The Product is not designed or intended for use in hazardous environments requiring fail-safe performance, including the operation of nuclear facilities, aircraft navigation or communication systems, air traffic control, weapons systems, life support or medical applications or for use in any circumstance in which the failure of the Product could lead directly to death, personal injury, or severe physical or property damage, or that would affect operation or safety of any medical or life support device (collectively, “High Risk Activities”). SIIG expressly disclaims any express or implied warranty of fitness for High Risk Activities. SIIG does not authorize use of its Product in any High Risk Activities.

ANY SUCH USE IS IMPROPER AND IS A MISUSE OF THE SIIG PRODUCT. The Limited Warranty and the Connected Equipment Guarantee are governed by the laws of the United States and the State of California, without reference to conflict of law principles. The application of the United Nations Convention of Contracts for the International Sale of Goods is expressly excluded. Contact Information: SIIG's address is 6078 Stewart Ave., Fremont, CA 94538 and its phone number is (510) 657-8688. SIIG is the warrantor under this Limited Warranty. You may also contact SIIG on the Internet at www.siig.com.

Technical Support

QUESTIONS? SIIG's **Online Support** has answers! Simply visit our web site at www.siig.com and click **Support**. Our online support database is updated daily with new drivers and solutions. Answers to your questions could be just a few clicks away. You can also submit questions online and a technical support analyst will promptly respond.

Blank Page

Blank Page

About SIIG, Inc.

Founded in 1985, SIIG, Inc. is a leading computer upgrade manufacturer of I/O connectivity products, including PCI & ISA serial and parallel ports, USB, Serial ATA & UltraATA controllers, FireWire (1394a/b), networking, sound cards, and other accessories. SIIG is the premier one-stop source of upgrades.

SIIG products offer comprehensive user manuals, many user-friendly features, and are backed by an extensive manufacturer warranty. High-quality control standards are evident by the overall ease of installation and compatibility of our products, as well as one of the lowest defective return rates in the industry. SIIG products can be found in computer retail stores, mail order catalogs, through major distributors, system integrators, and VARs in the Americas and the UK, and through e-commerce sites.

A/V PowerSaver 8 is a trademark of SIIG, Inc. SIIG and the SIIG logo are registered trademarks of SIIG, Inc. Microsoft, Windows and Windows Vista are either registered trademarks or trademarks of Microsoft Corporation in the United States and/or other countries. Other names used in this publication are for identification only and may be trademarks of their respective companies.