



# Full HD **HDMI Extender** over IP with POE, RS-232 & IR

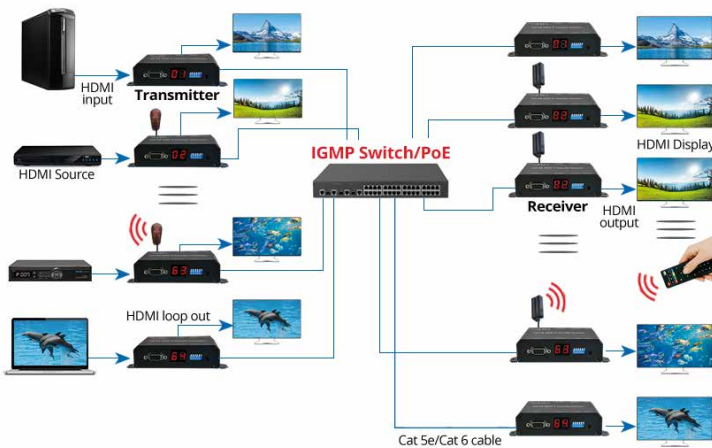


Extends HDMI signals up to  
**100M/330ft**

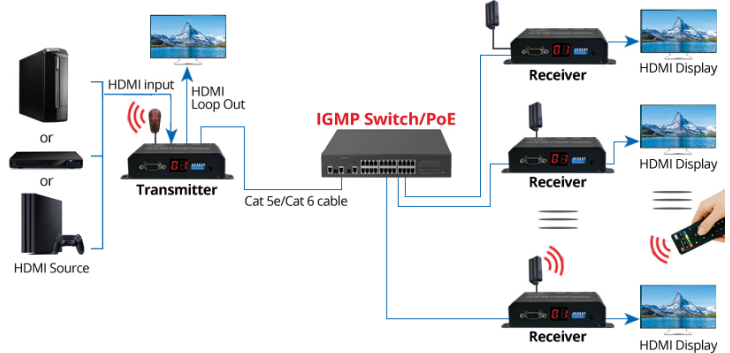
Part# CE-H26411-S1 (TX), & CE-H26511-S1 (RX)

**Extends 1080p HDMI signals to remote displays using over IP technology with PoE**

### Many-to-Many Distribution



### One-to-Many Distribution



- Extends HDMI signal up to 330ft (100m) over UTP Cat5e/6/ cable to remote displays
- Supports 1-to-1, 1-to-many or multi-casting via an unmanaged dedicated Gigabit Ethernet switch
- Scalable TX/RX Matrix over IP network, up to 255 total units, limited to 64 transmitters. Additional receivers (part# CE-H26511-S1) sold separately. **\*Note: IGMP Gigabit Switch is recommended for optimal performance**
- Delivers up to 1080p@60Hz video resolution to deliver stunning and clear images
- PoE support (36V~57V / 7W) simplifies installation by eliminating extra power adapters
- Supports IR pass back function to control the source devices from the RX location
- Supports computer control software to select and switch between source devices (Matrix only)
- Utilizes H.264 compression for efficient Full HD encoding/decoding with optimizing bandwidth

### Common Applications

- Control centers, Educational facilities, Lecture hall, Retail store, Shopping center, Exhibition, Transportation, Restaurant, Church, Hotel, Show room, Airport

1080p  
60Hz

100M

PoE

N to N

TAA  
Compliant